



GLOBAL

MACHINE TECHNOLOGY



SILK PORTABLE TAPPING MACHINES



HT100 Tapping Unit



HT400 Tapping Unit

Portable tapping machines are compact, lightweight, units used in many on-site applications. Ideal for repetitive tapping, these machines can tap up to 3" (76mm) & 6" (152mm) diameter holes dependant on material. Standard stroke lengths are 12" (305mm) & 24" (610mm) respectively for the HT100 & HT400.

FEATURES

- Positive down feed
- Quick release base
- Variety of Torque Multipliers

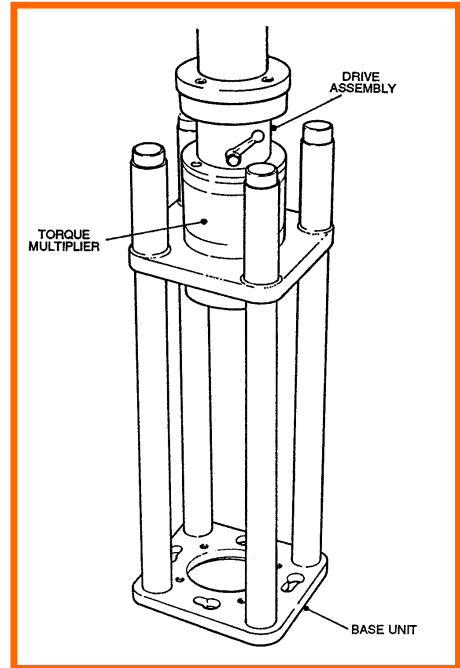
MACHINE DESCRIPTION

The HT100 and HT400 units are hydraulically powered tapping machines designed for use in conjunction with the Silk HD100 and HD400 drills. The HT100 is designed to tap holes up to 3" (76mm) while the HT400 has two sizes available for maximum diameters of 3.5" (90mm) and 6" (180mm) suitable for use with a wide variety of tap sizes and materials.

The base unit is constructed with a base plate and vertical slide pillars. The plate has keyholes for mounting the unit onto the work piece.

The drive assembly consists of a torque multiplier unit mounted on a slide plate. Drive is supplied from an hydraulic motor through a two speed gearbox mounted vertically above the torque multiplier.

The assembly is fitted over and slides on the vertical pillars of the base unit. The drive assembly has high / low speed selection enabling a wide range of taps to be driven. This feature also engages the option of rapid tap removal by selecting the high speed position for withdrawal when tapping has been carried out in low speed (high torque) mode.



HT400 Tapping Unit

Drive Motor is a Danfoss OMM32 (3.2 hp) with a flow rate of 4.4 GPM @ 1,015 PSI. Maximum torque output @ low speed selection (8 RPM) 3,375 ft.lbs. with a 72 to 1 ratio.

Specifications

	<u>HT100</u>	<u>HT400</u>
Weight of tapping unit	90lbs. (41kg)	125lbs. (57kg)
Dimensions:		
Base	4"x 4"x 4" (102x102x102mm)	7"x 7" (180 x 180mm)
Height of pillars / tapping unit	16" (408mm)	30" (762mm)
Shipping weight	223 lbs. (101kg)	250 lbs. (113kg)
Case dimensions	26" x 16" x 14" (660 x 406 x 356mm)	45"x 22"x 23" (1143 x 559 x 584mm)
Maximum Torque Output	1,125 ft.lbs (13.5 RPM)	3,375 ft.lbs (8 RPM)
Tapping Range	1 - 3" (25 – 76mm)	1 - 3.5" (25 – 89mm)
Tapping Range (HTE400)		2 – 6" (51 – 152mm)
Drive Motor	Danfoss OMM20	Danfoss OMM32
Flow Rates / Pressure	4.4GPM @ 1,015PSI (20LPM @ 70Bar)	4.4GPM @ 1,015PSI (20LPM @ 70Bar)

For further details contact:



11932 Brittmoore Park Drive, Houston, TX 77041
Tel. 832-467-4040 Watts. 800-516-9626
Fax. 832-467-4240