

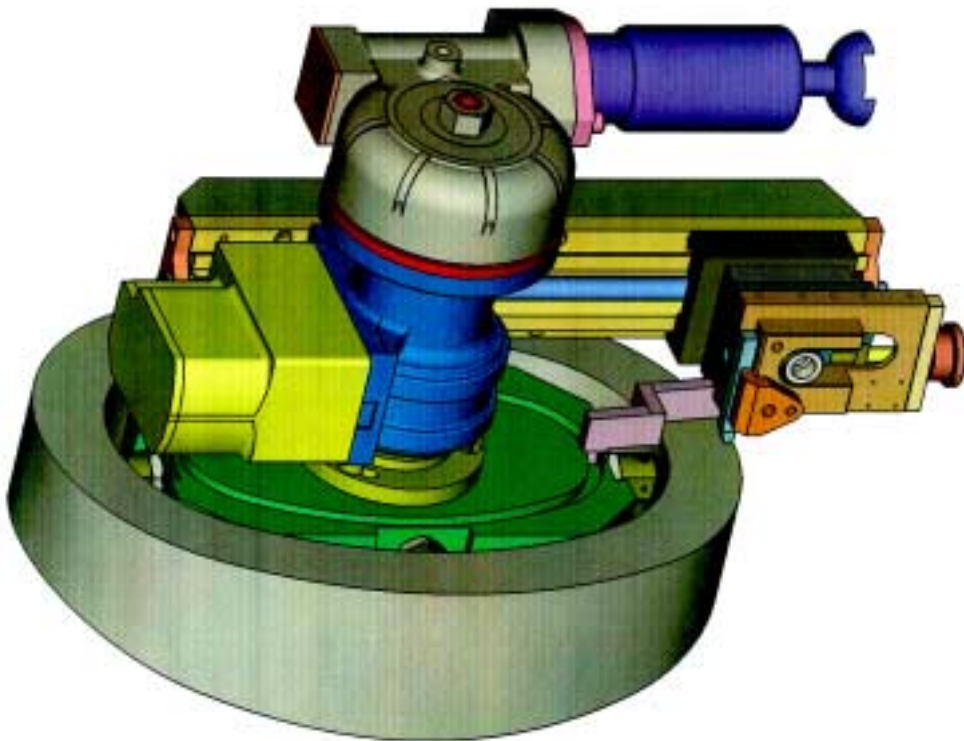


GLOBAL

MACHINE TECHNOLOGY



THE SILK FXB630 FLANGE FACING and OVAL MANWAY MACHINE

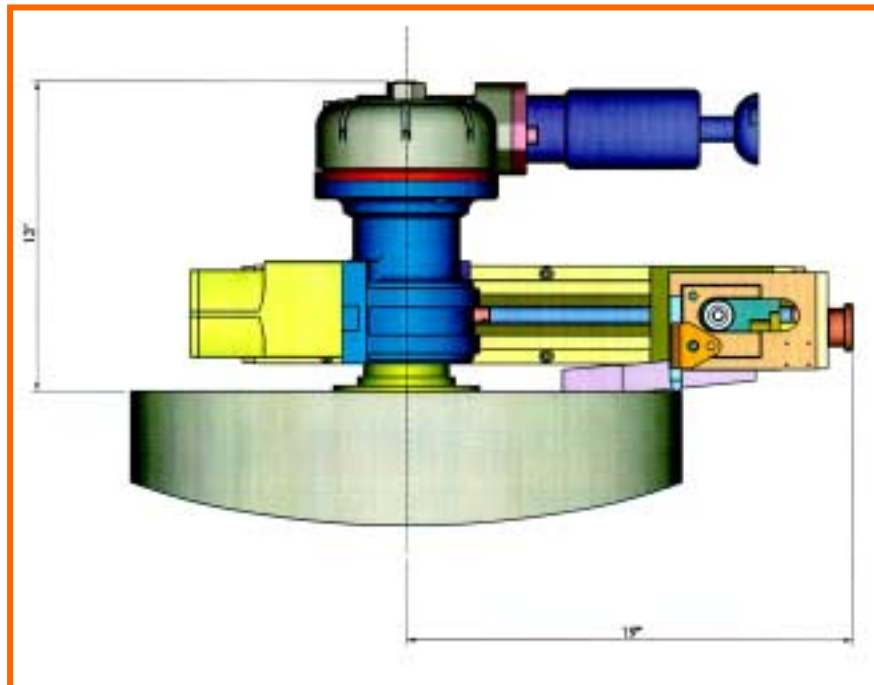
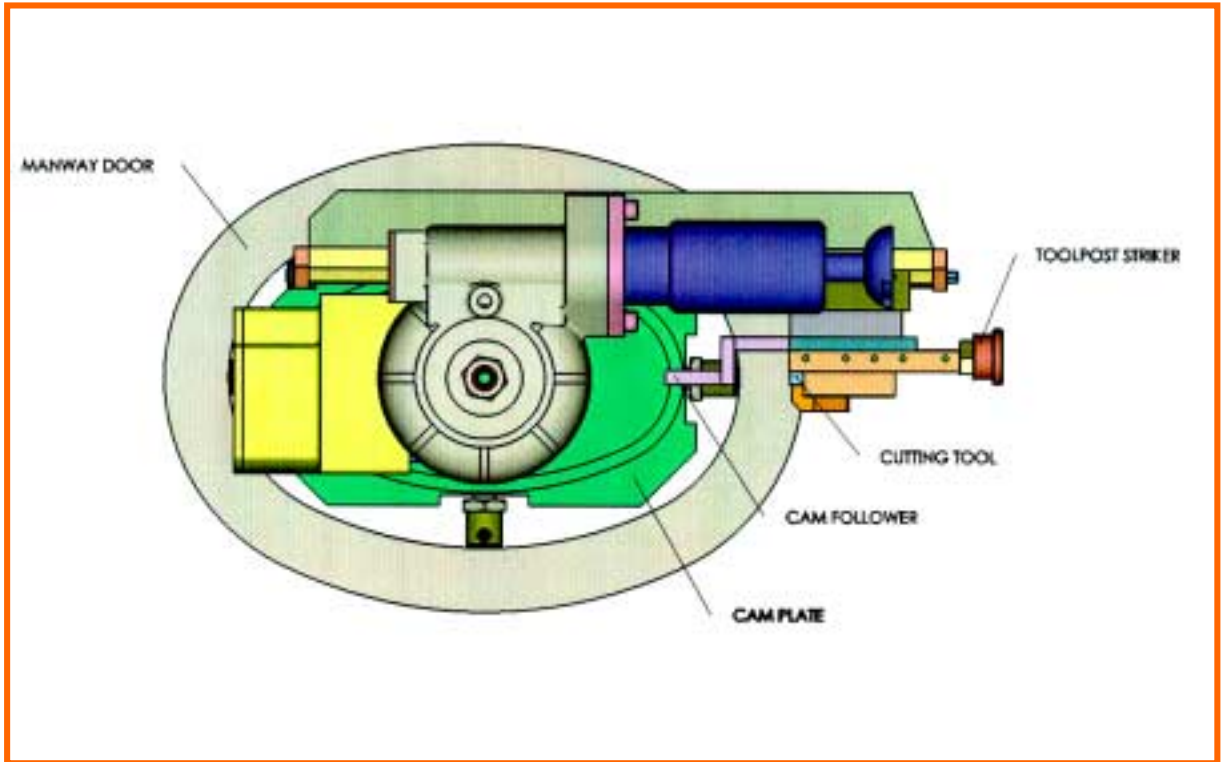


Elliptical, internally mounted, cam design for machining manway doors and covers. Lightweight, portable, flange facing, grooving and welding from 6-30" (153-762mm) diameter.

FEATURES

- Automatic feed rates
- Internally mounted
- Various machining kits
- Multiple surface finishes

GENERAL ARRANGEMENT FXBOMM



For further details contact::



11932 Brittmoore Park Drive, Houston, TX 77041
Tel. 832-467-4040 Watts. 800-516-9626
Fax. 832-467-4240