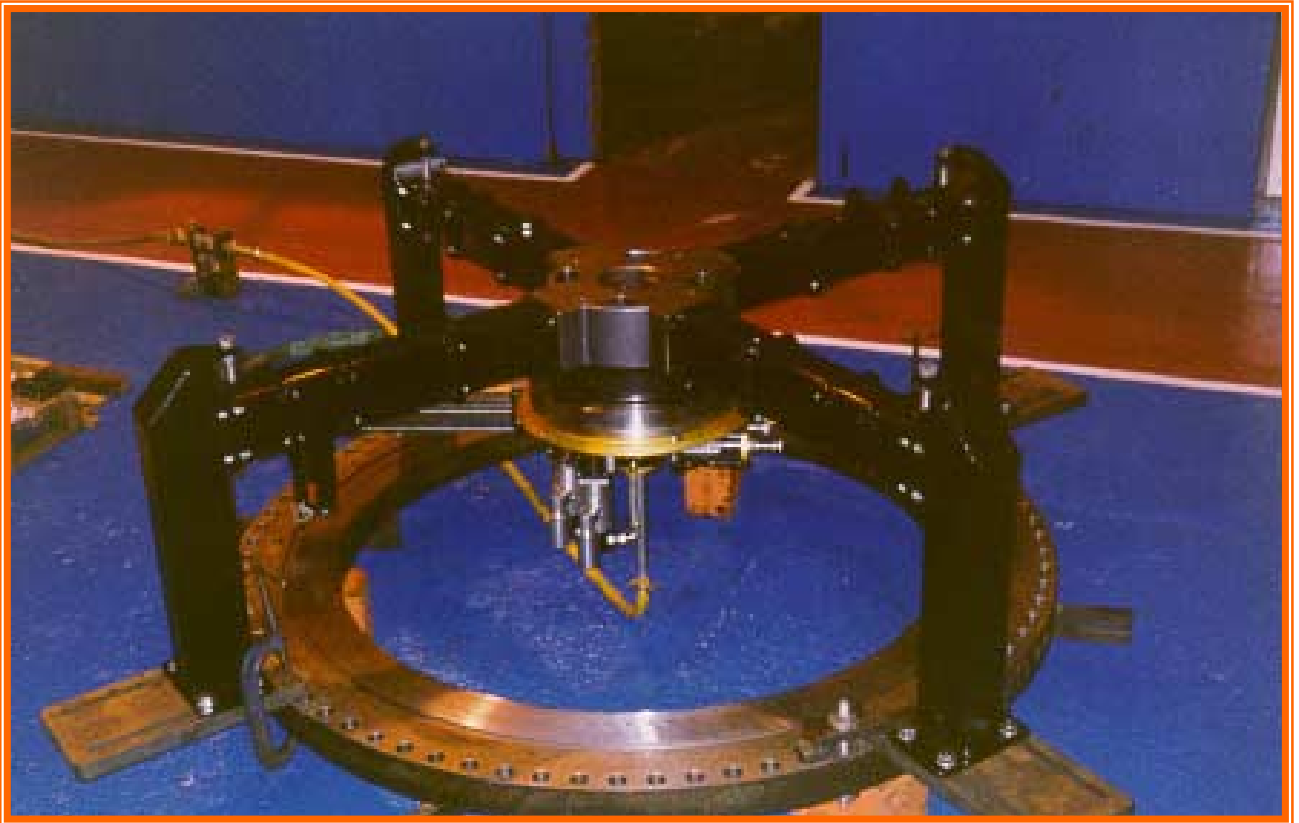




AX2872 O.D. MOUNTING KIT

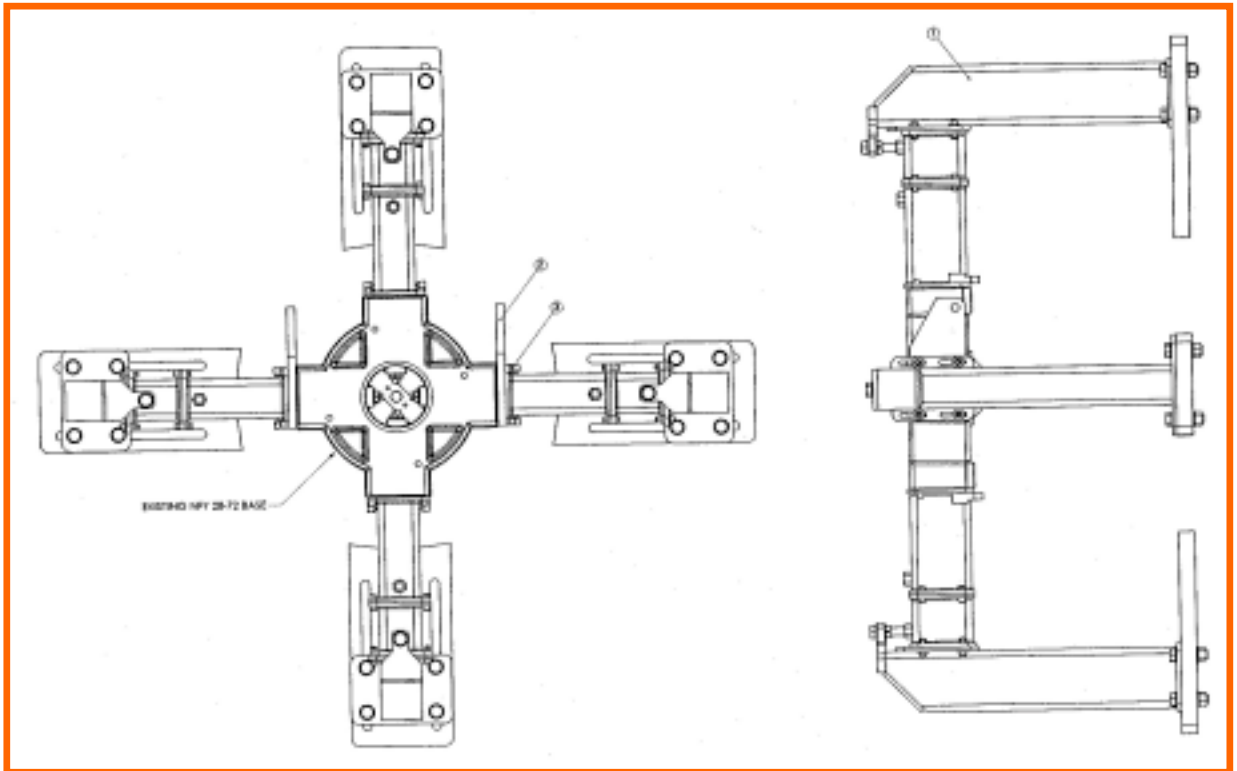


O.D. Mounting Kit utilizes the existing AX2872 block sectional base arrangement to mount to the outer diameter of a flange. The machine turntable and tool post are inverted and an extended tool post is used. There is an alternate air tapping located in the rear of the machine turntable to keep hoses from becoming entangled.

FEATURES

- Unique block sectional base
 - One time set-up
- Axial and radial adjustments
 - Multiple air tapings

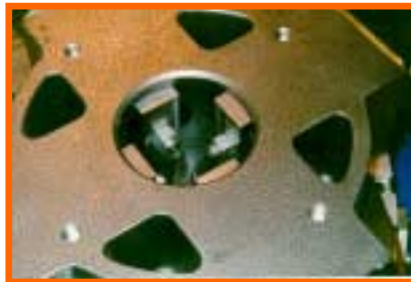
O.D. MOUNTING ARRANGEMENT



Tool post arrangement

O.D. Kit Includes:

- (4) Crab frame legs
- (1) Extended tool post
- (4) Mounting plates
- (2) Lifting brackets
- (4) Short extension legs
- (4) Long extension legs w/misc. bolting



Leg mount

For further details contact:



11932 Brittmoore Park Drive, Houston, TX 77041
Tel. 832-467-4040 Watts. 800-516-9626
Fax. 832-467-4240